

ABS Wall Mounted

Code : W1001 / W1101 / W1002 / W1102

ABS + PC cover with big / small lens



W1001



W1101



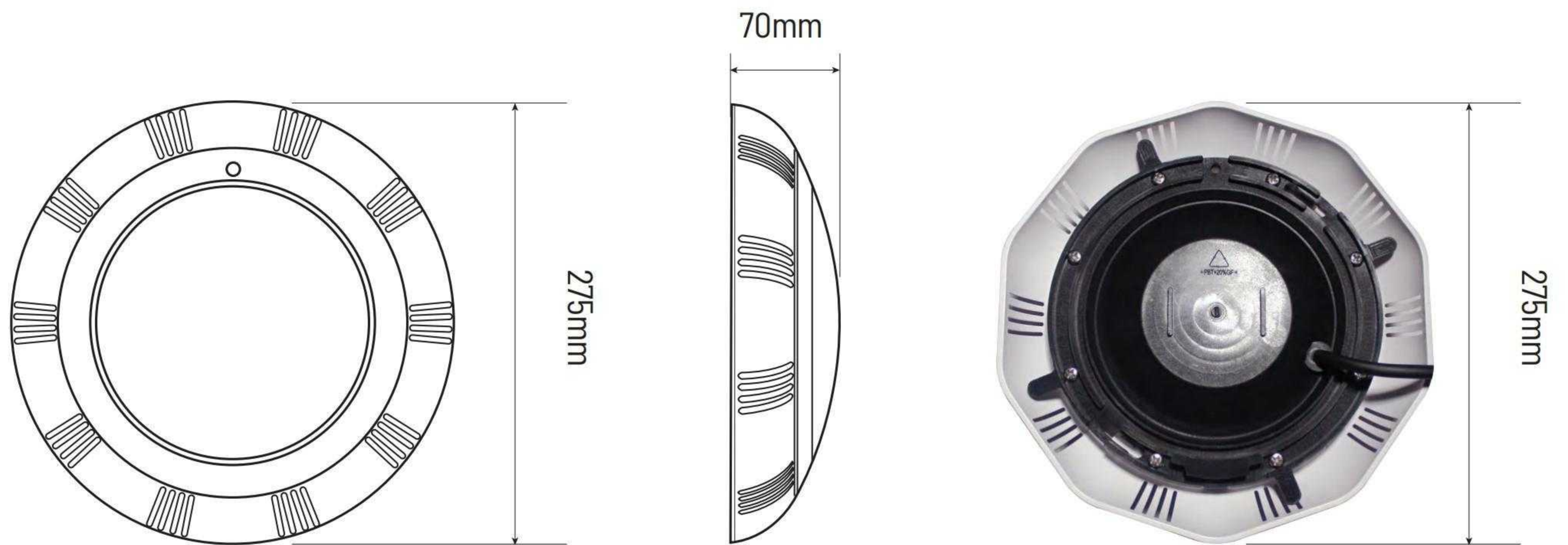
W1002



W1102

- W1001 - Round ABS + PC cover with Big lens
- W1101 - Round ABS + PC cover with Small lens
- W1002 - Decagon ABS + PC cover with Big lens
- W1102 - Decagon ABS + PC cover with Small lens

Size



For Concrete Pool



For Liner Pool
For Fiberglass Pool



R15 Controller

Product Parameters

CODE	Volt	Power	LED	Qty	Lumens			Remarks
					WW	WHT	RGB	
W1001	AC12V	12W	SMD2835	180pcs	1100lm	1200lm	600lm	RGB control way A. On/Off control B. Remote control (R15 & R18)
W1101		18W	SMD2835	252pcs	1700lm	1800lm	900lm	
W1002		25W	SMD2835	351pcs	2400lm	2500lm	1200lm	
W1102		35W	SMD5050	150pcs	3100lm	3200lm	1600lm	

Code : W1103

ABS Unibody + PC cover with small lens



108pcs SMD5050 LED, 25W



Cool white

Warm white

RGB

Advantages



- Unibody, **IP68**, no water leaking
- SMD5050 LED, good color mixing
- PC cover with small lens, Anti-glare
- Multiple installation methods

BRT001



For Concrete Pool

BRT002



For Liner Pool
For Fiberglass Pool

BRT004



For Concrete + Liner Pool

Product Parameters

CODE	Volt	Power	LED	Qty	Lumens			Remarks
					WW	WHT	RGB	
W1103	AC12V	18W	SMD5050	90pcs	1700lm	1800lm	900lm	RGB control way
		25W	SMD5050	108pcs	2400lm	2500lm	1200lm	A. On/Off control B. Remote control (R15 & R18)

Code : W2014



Whirlwind design , colorful frame



Product Parameters

CODE	Volt	Power	LED	Qty	Lumens				Remarks
					WHT	DW	RGB	RGBW	
W2014	AC12V	18W	SMD2835	252pcs	1800lm	/	900lm	/	RGB control way A. On/Off control B. Remote control (R15 & R18)
		25W	SMD2835	351pcs	2500lm	/	1200lm	/	
		32W	SMD2835	441pcs	3200lm	/	1600lm	/	
		40W	SMD2835	513pcs	4000lm	/	2000lm	/	
	DC12V	18W	SMD5050	90pcs	/	1900lm	900lm	/	DW control way A. On/Off control B. Remote control (R8)
		25W	SMD5050	120pcs	/	2600lm	1200lm	/	
		32W	SMD5050	150pcs	/	3300lm	1600lm	/	
		40W	SMD5050	180pcs	/	/	/	2100lm	

Code : W2013

Ultraslim frame, epoxy resin panel



Features

- * Ultra slim body
- * Fast installation with 2pcs screws
- * DC 12V , can be controlled with external controller
- * Epoxy resin filled panel, IP68

Product Parameters

CODE	Volt	Power	LED	Qty	Lumens				Remarks
					WHT	DW	RGB	RGBW	
W2013	DC12V	18W	SMD2835	252pcs	1800lm	/	900lm	/	RGB control way External RGB control
		25W	SMD2835	351pcs	2500lm	/	1200lm	/	
		32W	SMD2835	441pcs	3200lm	/	1600lm	/	
		18W	SMD5050	90pcs	/	1900lm	900lm	/	
		25W	SMD5050	120pcs	/	2600lm	1200lm	/	
		32W	SMD5050	150pcs	/	3300lm	1600lm	/	

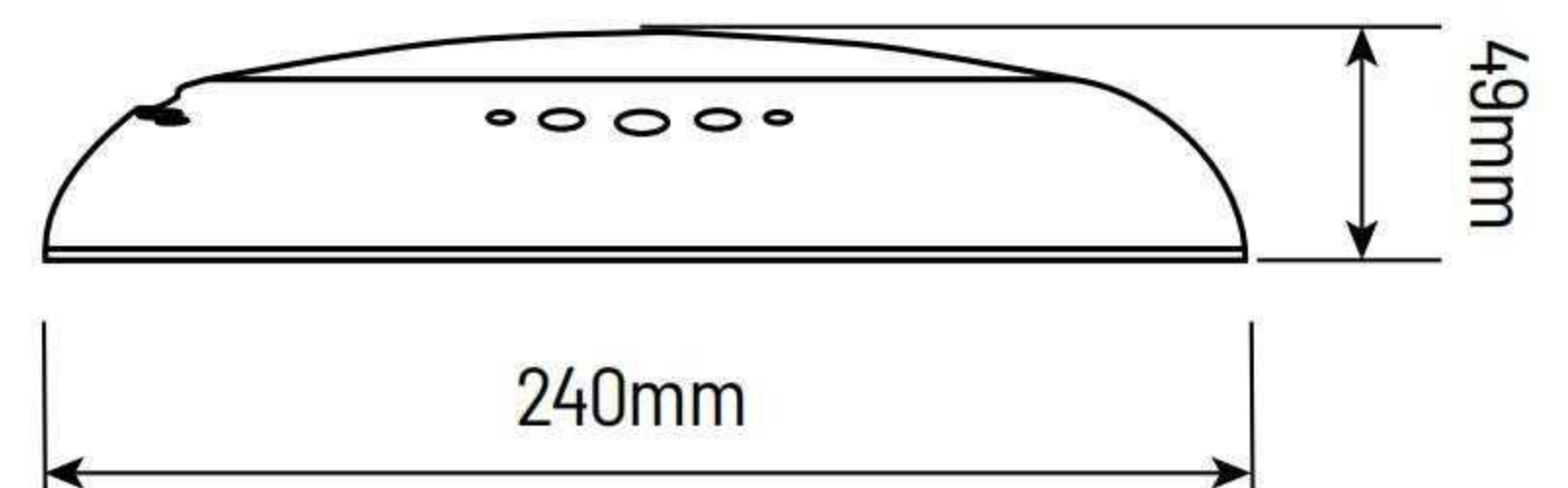
Code : W2001

Frosted Transparent PC with small lens



Features

- * Frosted PC housing with small lens, anti-glare
- * Multiple installation methods
- * Epoxy resin filled panel, IP68

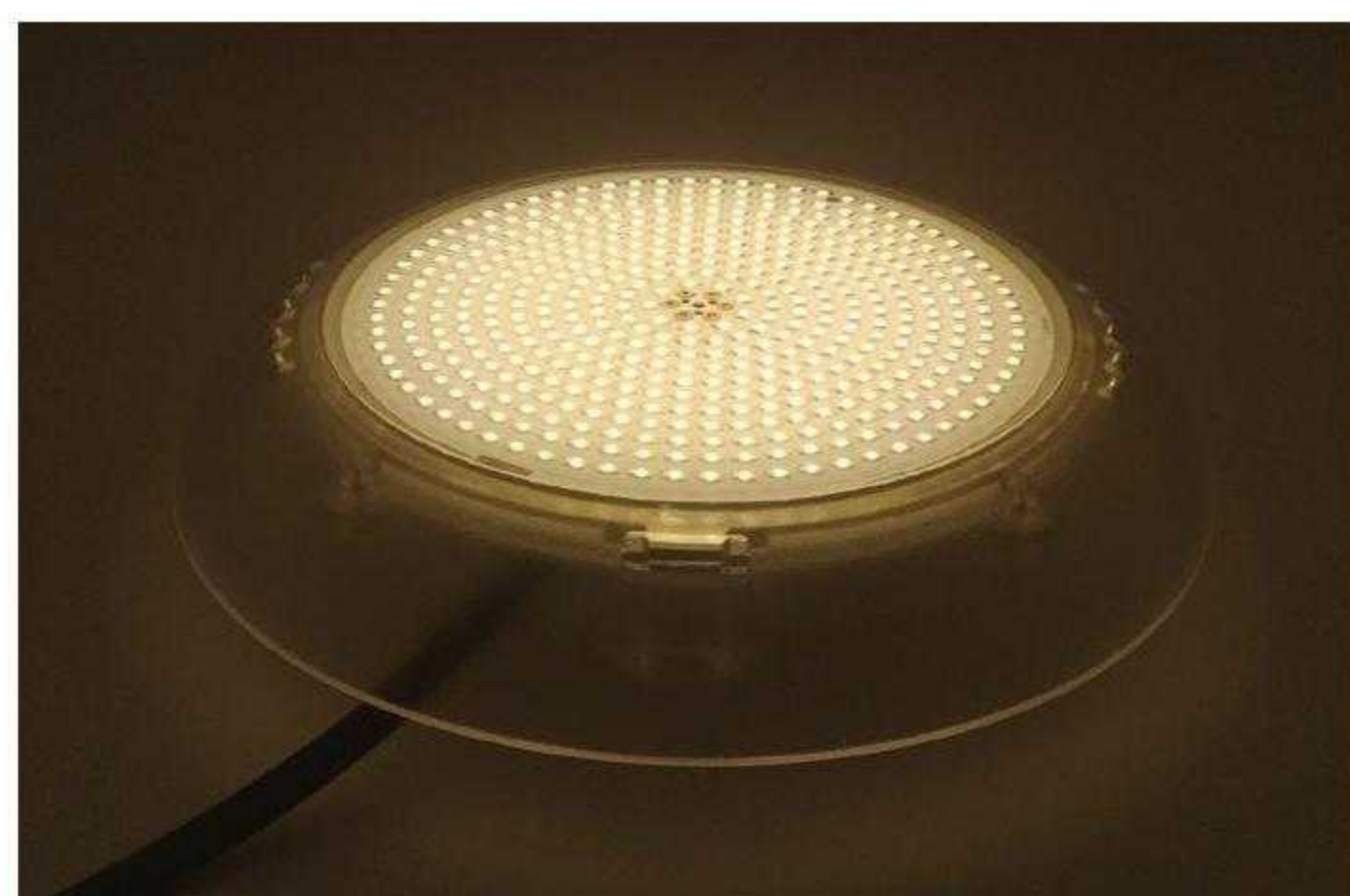


Product Parameters

CODE	Volt	Power	LED	Qty	Lumens				Remarks
					WHT	DW	RGB	RGBW	
W2001	AC12V	18W	SMD2835	252pcs	1800lm	/	900lm	/	RGB control way A. On/Off control B. Remote control (R15 & R18)
		25W	SMD2835	351pcs	2500lm	/	1200lm	/	
		32W	SMD2835	441pcs	3200lm	/	1600lm	/	
		40W	SMD2835	513pcs	4000lm	/	2000lm	/	
	DC12V	18W	SMD5050	90pcs	/	1900lm	900lm	/	DW control way A. On/Off control B. Remote control (R8)
		25W	SMD5050	120pcs	/	2600lm	1200lm	/	
		32W	SMD5050	150pcs	/	3300lm	1600lm	/	
		40W	SMD5050	180pcs	/	/	/	2100lm	

Code : W2002

Frosted Transparent PC



Product Parameters

CODE	Volt	Power	LED	Qty	Lumens				Remarks
					WHT	DW	RGB	RGBW	
W2002	AC12V	18W	SMD2835	252pcs	1800lm	/	900lm	/	RGB control way A. On/Off control B. Remote control (R15 & R18)
		25W	SMD2835	351pcs	2500lm	/	1200lm	/	
		32W	SMD2835	441pcs	3200lm	/	1600lm	/	
		40W	SMD2835	513pcs	4000lm	/	2000lm	/	
	DC12V	18W	SMD5050	90pcs	/	1900lm	900lm	/	DW control way A. On/Off control B. Remote control (R8)
		25W	SMD5050	120pcs	/	2600lm	1200lm	/	
		32W	SMD5050	150pcs	/	3300lm	1600lm	/	
		40W	SMD5050	180pcs	/	/	/	2100lm	